

CONVENTIONAL POSITIONER

- BCP -

BIREL

POSITIONER FAMILY

DISCOVER THE POTANTIAL GROW WITH US

BCP Conventional Positioner family can be offered in 200kg,250kg,500kg, 1.000kg,2.000kg,3.000kg,5.000kg,8.000kg,10.000kg capacities in standart.

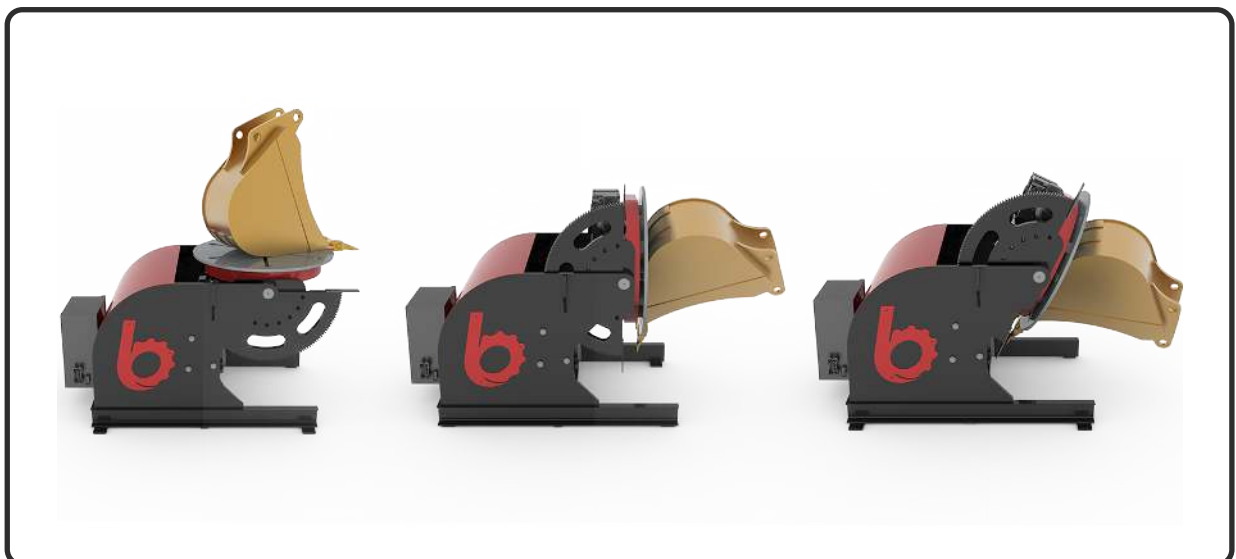
Among these capacities Birel Machinery can able to offer you special or customised Designed with different loading capacities positioners as per your requests.

For any special projects or capacities please contact with us.

BCP - Conventional Positioner



Different Working Positions :



BCP - Conventional Positioner

Birel Positioners Conventional Positioner BCP are designed according to the rotation and angular tilting of the plate as the most appropriate configuration like other positioners, Operators can work more effectively and efficiently.

With Birel's Positioners, you can position all the parts within the limits of a dimension without creating any geometric shape and create the appropriate welding corner. The positioners are minimize the use of the Crane due to increase of the speed and efficiency of welding for both using automatic welding or manuel welding methods.

Birel Positioners thus have an important place in steel construction workshops. 'Birel' Positioners constructions consist of; body,motor, plate rotating and tilting systems, electric panel and remote operator control. Birel Positioners consist of clockwise or counterclockwise reversals of plates and a certain axis of inclination of plates. However, the parts that operators fasten on the plate can be easily rotated at an adjustable speed which operators can control over the control pendant precisely and the plate can also be leaned forward to provide the desired angle through the control panel.Birel Positioners allow fast connection of the workpiece by using 'T' channels on the rotating plates

Standarts

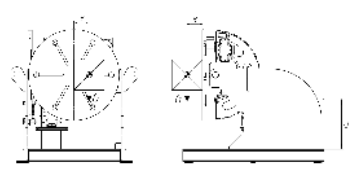
- Adjustable Table plate rotation speed
- Digital speedometer on the electrical cabinet
- Mechanical angle indicator
- Tilt gear protection bands
- Limit switches to terminate movements
- 5 Mt lenght cable pendant
- 5 Mt power cable
- Welding earthing mechanism
- Motors with brake & forced fan cooling
- 1 Year Warranty

Loading Capacity Calculatin

We calculate loading torques from the surface of the table plate to the centre of gravity of the working piece.

The torque of the work-piece should be compared with the maximum allowable torque in the appropriate table plate is the best way to choose correct positioner to your work.

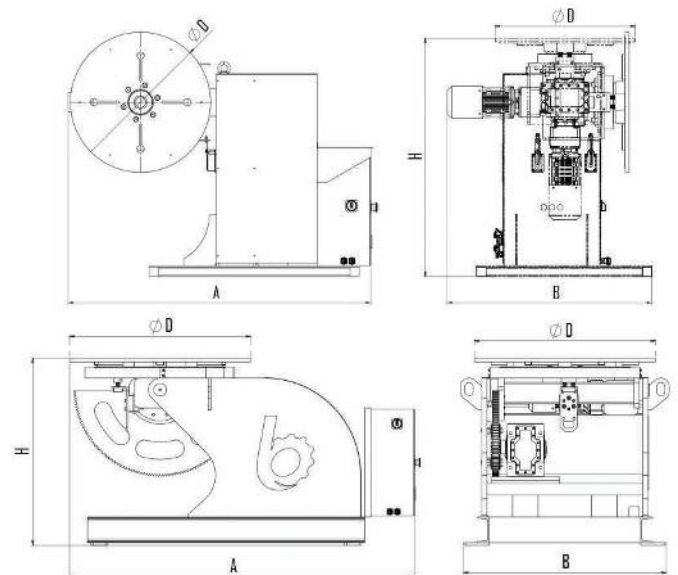
Rotation Torque (Nm) : $G \times Y$
 Tilting Torque (Nm) : $G \times X$



G (N) = Weight of work-piece (kg) x Gravity factor approx. 10 (m/s²)
 Y (m) = Distance from the centre of the ptable plate to work-piece centre of gravity
 X (m) = Distance from the surface of the table plate to work-piece centre of gravity

All our conventional positioners capacities are calculated as
 $Y=150\text{mm}$ $X=150\text{mm}$

Options



	Mini BCP-020	BCP-025	BCP-05	BCP-1	BCP-2	BCP-3	BCP-5	BCP-8	BCP-10	
Capacity	(kg)	200	250	500	1.000	2.000	3.000	5.000	8.000	10.000
Rotation speed	(rpm)	0,22-2,2	0,15-1,5	0,15-1,5	0,15-1,4	0,1-0,7	0,1-0,7	0,15-0,78	0,13-0,67	0,1-0,5
Max. rotational torque	(Nm)	300	500	780	1.600	3.150	4.500	7.500	12.000	15.100
Tilting /angle	(deg)	90 - 0 - 90	110	100	115	115	115	115	110	110
Tilting torque	(Nm)	685	650	1.360	2.720	5.130	8.500	15.500	25.520	31.580
Max.welding current	(A)	400	400	700	1.000	1.000	1.000	1.000	1.000	1.000
Table plate diameter	(Ø D)	600	600	700	850	900	1.000	1.250	1.500	1.650
Height	(H)	1.020	725	765	880	1.000	1.100	1.220	1.420	1.480
Length	(A)	1.270	1.350	1.350	1.580	1.730	1.900	2.160	2.500	2.500
Width	(B)	875	790	865	950	1.150	1.280	1.640	1.680	1.700
Weight	(kg)	330	370	460	730	1.080	1.180	1.980	2.950	3.450
Motor Power of Table	(kW)	0,25	0,37	0,37	0,37	0,55	0,55	1,1	1,5	1,5
Motor Power of Tilting	(kW)	0,25	0,37	0,37	0,55	0,75	1,1	2,2	3	4



LET'S BE ONE HAND

Birel Mühendislik Makina San. Tic. A.Ş

Yaylacık Mahallesi Doğancılar Mevkii 46. Sok. No:4/1 Nilüfer/Bursa
Tel: +90 224 413 06 17 Fax:+90 224 413 06 18