

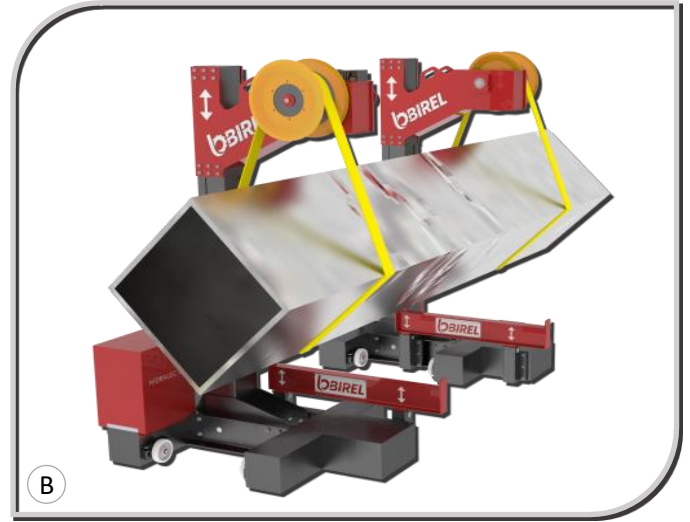
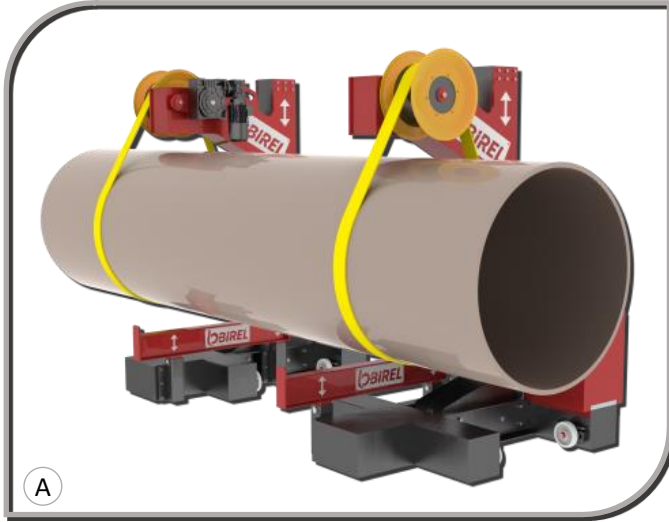
### General Features ;

- Purpose of Section Rope Rotator is rotating and positioning work pieces with planar cross section.
- Over an endless rope, Providing rotation movement to workpiece , together with suitable positioning , required welding edge and assembly plane could be arranged.
- It is possible to adjust the height of the piece placed on the machine. this provides more convenience to the operator during welding.
- Operators can easily rotate workpieces mounted on the chain clockwise (CW) or counterclockwise (CCW) , precisely, well-aligned. They can also be moved up & down to provide the intended height.
- Rope Rotators set include of 2 pcs. driven units. Number of units can be augmented according to the operation and weight terms.
- Both of the units that builds BRR-Section Rope Rotator set are driven and these two unit can be operated in synchronization or separtely. Thus, angular height adjustment of the work piece is enabled.
- Birel Makine manufactures 5 , 6 and 10 ton chain rotators in its standard, However, between these tonnages special custom production can be manufactured.

### Technical Advantages ;

- Birel Machinery as standard provides BRR model, in capacity of 5 - 6 - 10 ton.
- Birel Machinery, out of these standard capacities, according to customer standards & requirements ,can present quotation against the machine revision process or fulfill customer request against new designs.
- Birel Chain Rotators allow easy loading by opening the chain arms.
- Automatic closing of chain levers upon loading workpiece.
- Robust chain gear structure
- For any special request or project, Please do not hesitate to contact with us.

❖ All technical specifications are subject to change without prior notice.



### Standard Equipments

- Adjustable worktable rotation speed
- Rotational Speed Dijital display on Electrical Cabinet
- 5 mt. Command Cable
- 5 mt. Power Cable
- Brake & Fan Cooled Motor (Asynchronous)
- Standard Machine Colors:
  - Chassis RAL 7011(Grey)
  - Sheet Covers:RAL 3020(Red)
- Power Supply: 380V - (3 phase+Neutral +Earthing)
- One (1) Year Warranty (wearing parts out of warranty)

### Optional Control Units

DFPSE

Double Foot Pedal+Stick+  
Emergency Stop (3 m)



OHC

Overhead Hangable Control



MP

Master Panel



WRC

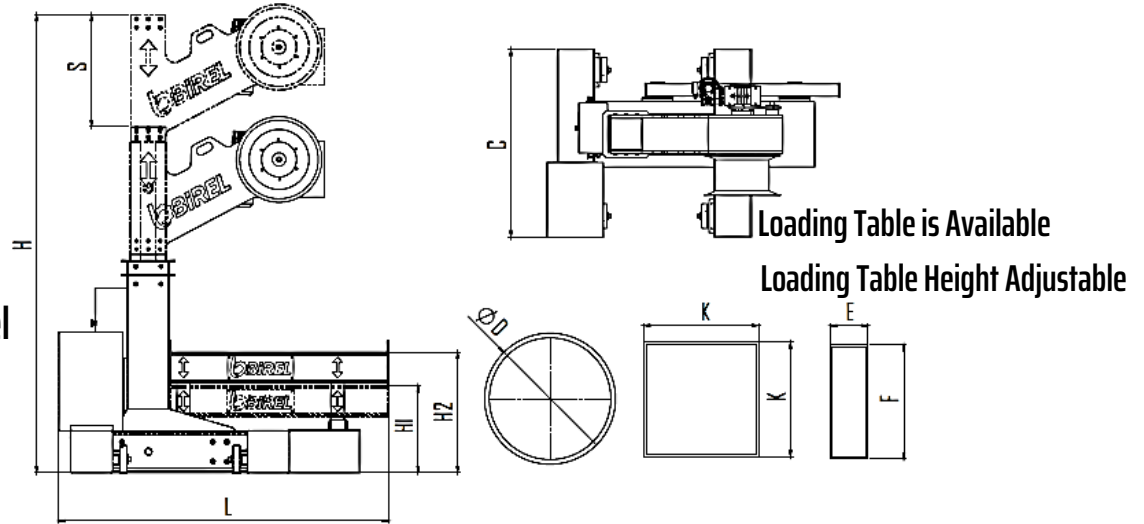
Wireless Remote Controller



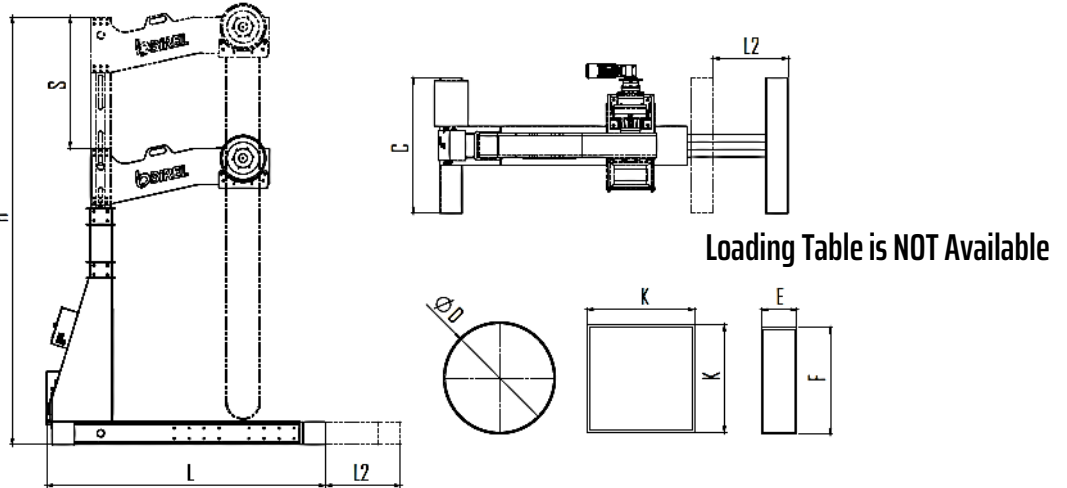
❖ All technical specifications are subject to change without prior notice.

**TECHNICAL PROPERTIES**

**BRR-5 Model**



**BRR-6 Model  
BRR-10 Model**



**Technical Details :**

Model : BRR	Symb.	Unit	BRR-5	BRR-6	BRR-10
Capacity		kg	5 000	6 000	10 000
Rotation Speed	90°	sec	9 sec	30 sec	30 sec
Up & Down Time		sec	30sec	90 sec	90sec
Loading Stroke	S	mm	800	1300	1300
Max.Workpiece Round	ØD	mm	1415	3500	3500
Max.Workpiece Square	K	mm	1000	2500	2500
Max.Workpiece Rectangular	E-F	mm	1200 x 300	3200 x 1500	3200 x 1500
Height	H	mm	3265	5400	5400
Loading Chassis Height	H1 - H2	mm	620 – 860	--	--
Length	L	mm	2350	4070	4070
Length Stroke	L2	mm	-	1000	1000
Width	C	mm	1500	2250	2500
Total Motor Power		kW	5	11	14

↳ Out of these std. capacities, Birel Machinery, according to customer requirements, has the manufacturing possibility at different capacities, sizes.

❖ All technical specifications are subject to change without prior notice.