

ABOUT PRODUCT

- Economical
- Easily Operated
- Suitable for lower capacities & Smaller diameters
- Turning and Positioning of small tanks and cylindrical workpieces, etc.



- Application illustration

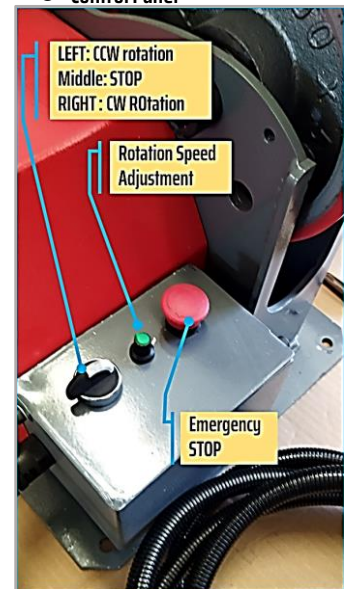


«1» SET	«1 pc.» DRIVEN Unit
includes	«1 pc.» IDLER Unit

Standard Features

- Manual Diameter Range Adjustment by means of two holes
- Adjustable Wheel rotation speed
- Polyurethane Wheels absorbing shocks and vibrations
- 3 mt. Power Cable
- DC Motor
- Standard Machine Colors:
 - Chassis RAL 7011(Grey)
 - Sheet Covers:RAL 3020(Red)
- Power Supply: 220V - (2 phase)
- One (1) Year Warranty (wearing parts out of warranty)

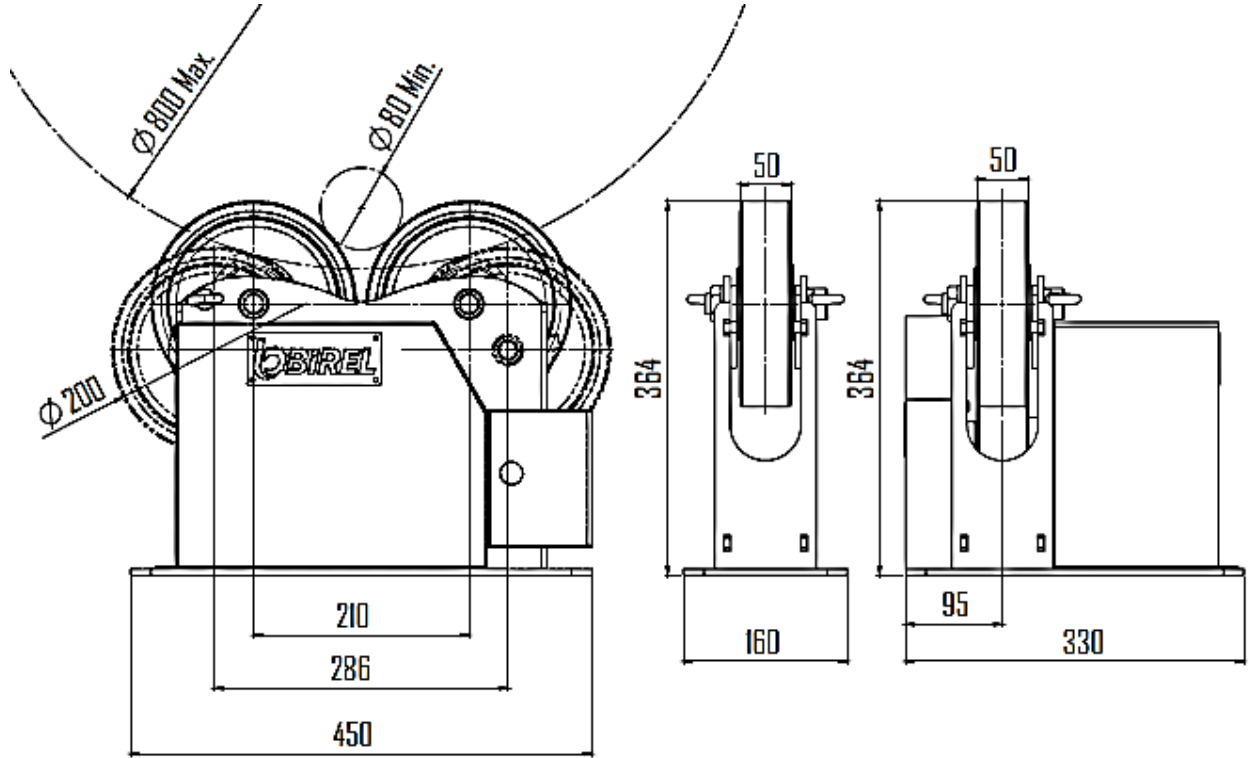
- Control Panel



↳ Out of these std. capacities, Birel Machinery, according to customer requirements, has the manufacturing possibility at different capacities, sizes.

❖ All technical specifications are subject to change without prior notice.

ABOUT PRODUCT



Technical Details :

Model : Mini-BCR	Unit	BCR-1,2
Capacity	ton	1,2
Max. Load (Drive Unit)	t/unit	0,6
Max. Load (idler unit)	t/unit	0,6
2 Driven Unit		Optional
Rotation Speed	mm/min	80 - 1600
Diameter Range (ØDmin-ØDmax)	mm	60 - 800
Roller Diameter	mm	200
Roller Width	mm	50
Roller Material		PU
Length (Drive Unit)	mm	450
Length (Idler Unit)	mm	450
Width (Drive Unit)	mm	330
Width (Idler Unit)	mm	160
Height	mm	364
Motor Type		DC
Motor Power	Watt	100 W
Power Supply	V	220V
Weight	kg	60

↳ Out of these std. capacities, Birel Machinery, according to customer requirements, has the manufacturing possibility at different capacities, sizes.

❖ All technical specifications are subject to change without prior notice.