

BCBM

Mini

Section-C : Column & Boom | C05 :Mini Column&Boom Welding Line

Manual MOVABLE Mini Version Column & Boom Welding Line

BIREL
MÜHENDİSLİK MAKİNA A.Ş.

Mini-VERSION



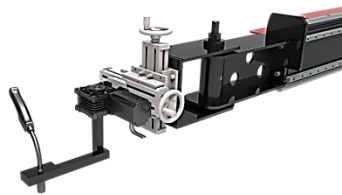
BCBM
Mini

Model	Mini Version Column – Boom Welding Line
Ground Mounting	MANUAL Movable on Rail
Column Rotation	NOT available (OPTIONAL)



OPTIONAL Modifications & Equipments;

M01:Oscillator

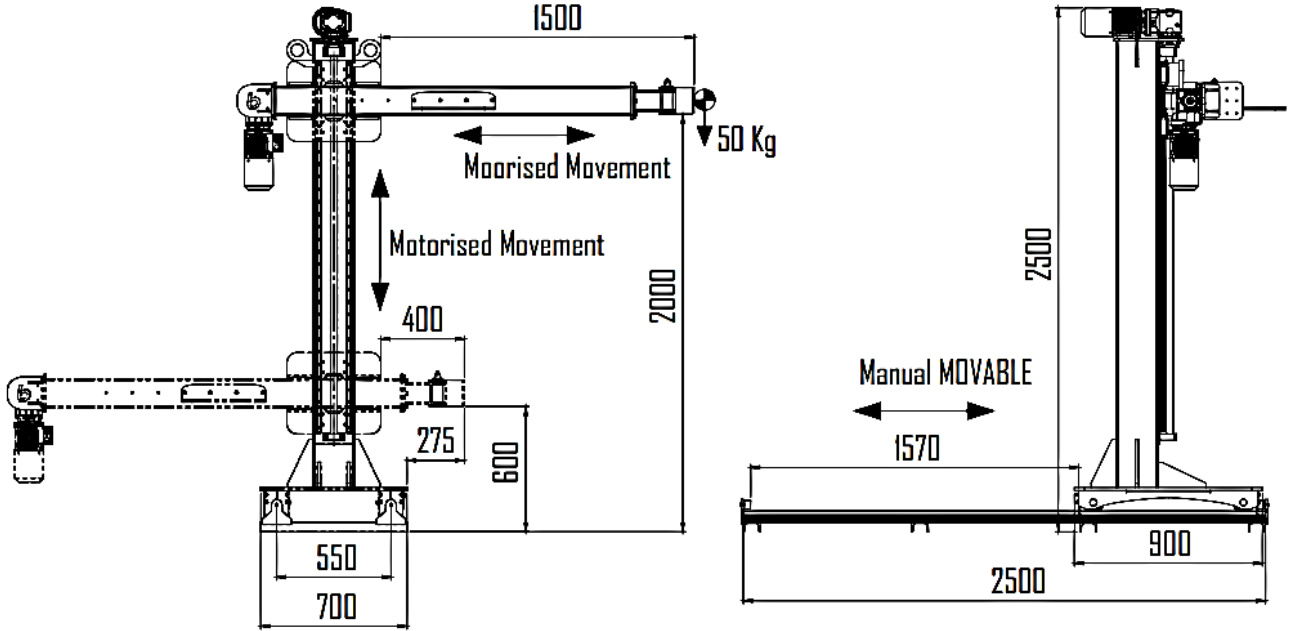


M03:Motorised Column Rotation



❖ All technical specifications are subject to change without prior notice.

Birel Mühendislik Makine San. Tic. A.Ş. | Adresses: Yaylacık Mahallesi Dogancilar Mevkii 46. Sok. No:4/1 Nilüfer/Bursa – TURKEY
Tel: +90 (224) 413 0617 Fax: +90 (224) 413 0618 Web : www.birelmuhendislik.com Contact Email : info@birelmuhendislik.com
Sales: Email: sales@birelmakina.com Direct Mobil: +90.5462016491

Mini-BCBM VERSION TECHNICAL PROPERTIES

Standard Equipments

- Theaded Shaft Lifting
- Column and Boom on Linear Guides movement
- Ajustable linear Boom speed
- Boom speed digital display
- Limit switch for all movements.
- Cable channels on the Column - Boom.
- Torch mounting equipment on the boom end.
- 5mt.Cable Remote Handbox Control.
- 5mt.Power Cable
- Standard Machine Colors:
 - Chassis RAL 7011(Grey)
 - Sheet Covers:RAL 3020(Red)
- Power Supply: 380V - (3 phase+Neutral +Earthing)
- One(1) Year Warranty

Technical Details :

Model : Mini-Column-Boom	Unit	Mini-BCBM 2x1,5
Working Range	m	2 x 1,5
Max. Load (Boom)	kg	50
Boom Speed (welding)	mm/ min	70 - 700
Boom Height Max (Movable Base)	mm	2000
Boom Height Min (Movable Base)	mm	600
Height (Movable Type)	mm	2500
Extension min/max	mm	400 - 1500
Base Size (width x length)	mm	700 x 900
Base Move Type		MANUAL
Track Width (Axis)	mm	550
Rail Type		A45
Total Motor Power	kW	1

❖ All technical specifications are subject to change without prior notice.