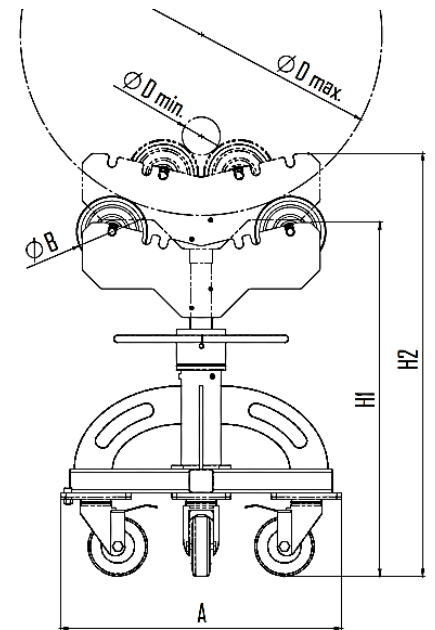
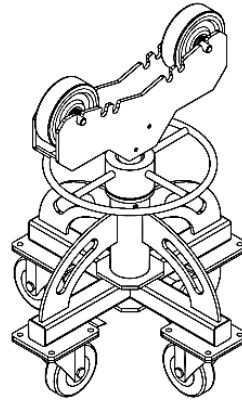
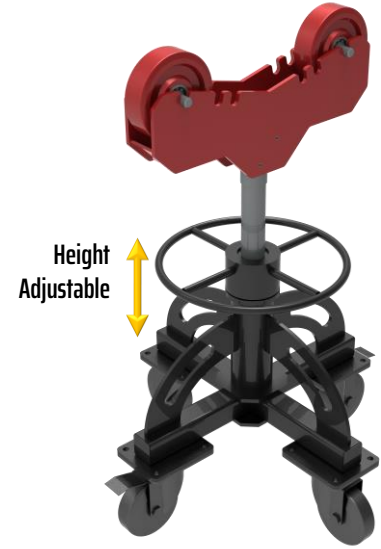


## ABOUT PRODUCT

## General Features ;

- BBT model Pipe Holder is designed for rolling of pipe workpiece over it.
- Height is adjustable by Handwheel
- BBT model Pipe Holder as standard 250 and 500 kg. are presented.
- BBT model, According to customer requests, special productions are manufactured in various diameters & capacities..
- An indispensable solution in construction sites & working areas.
- Operators can work more effectively and efficiently.
- One (1) Year Warranty (wearing parts out of warranty)



## Technical Details :

Model : BBT	Symb.	Unit	BBT 500
Capacity		kg	500
Rotating Diameter	ØDmin - ØDmax	mm.	Ø80 - Ø710
Roller Diameter	ØB	mm	Ø150
Height	H1 - H2	mm	745 - 890
Length	A	mm	600
Weight		kg	65

↪ Out of these standard. capacities, Birel Machinery, according to customer requirements has the manufacturing possibility at different capacities, sizes.

❖ All technical specifications are subject to change without prior notice.